



MAXIMUM-CAPACITY ROTISSERIE – SOLID BACK – TOUCHSCREEN CONTROLS – CURVED GLASS

Model VGG-16-C



VGG-16-F-PT model shown.

Ideal for extremely high-volume supermarkets and restaurants, the BKI® VGG-16-C has a massive cooking capacity that will meet growing customer demand and improve profitability. This rotisserie can cook up to up to 80 3-lb (1.36 kg) chickens in 75 minutes. The results are delicious—moist and tender inside and perfectly golden brown outside.

The bright touchscreen display makes operation a breeze with true one-touch cooking. Store up to 15 customizable menu programs that can be locked to protect important settings. Select English or Spanish with the new bilingual feature.

Innovative safety features include cool-door technology and sensors that stop rotation when the door is opened.

Whether poultry, pork, beef, vegetables, or your own specialty, the VGG-16-C is sure to maximize customer satisfaction and produce uniform, consistent results every time.

FEATURES AT A GLANCE

- Touchscreen controls
- Curved glass doors
- LED lights illuminate cavity to attract customer attention
- Easy-to-clean bright annealed stainless steel interior
- Electric operation
- 15 program modes with pre-heat and hold capability
- Cool door for safety
- Solid back design
- Assembled in USA



PRODUCT CAPACITY

Cooks up to 80 3-lb (1.36 kg) chickens in 75 minutes at the touch of a button.



ELECTRIC OPERATION

Energy efficiency and easy installation are a perfect pairing for your food service operation.



TOUCHSCREEN CONTROLS

True one-touch process controls ensure menu items are perfectly cooked.



COOL-DOOR SAFETY

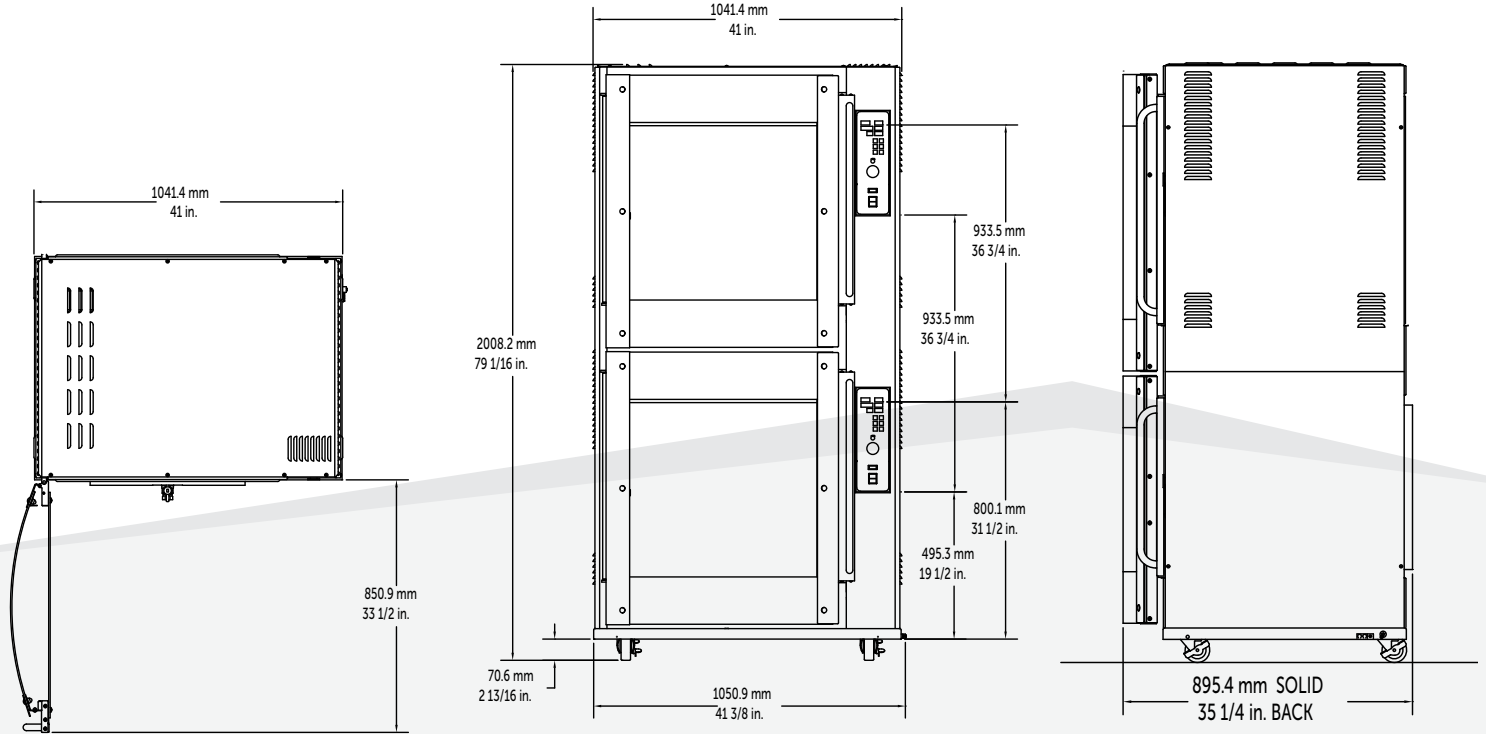
Double doors insulate to prevent burns; sensors stop rotation and cooking when door is opened.



MAXIMUM-CAPACITY ROTISSERIE – SOLID BACK – TOUCHSCREEN CONTROLS – CURVED GLASS

Model VGG-16-C

EQUIPMENT DIMENSIONS



MECHANICAL SPECIFICATIONS

Dimension	Uncrated	Crated
Height	79.06" (2008 mm)	88" (2239 mm)
Width	41.37" (1051 mm)	47" (1196 mm)
Depth	35.25" (895 mm)	45.5" (1158 mm)
Floor Space	10.6 sq ft (.98 sq m)	14.9 sq ft (1.38 sq m)
Weight	947 lb (429 kg)	982 lb (445.4 kg)

ELECTRICAL OPTIONS

NORTH AMERICA		Breaker	kW	Wires	Phase
Volts	Amps				
208	29.7*	40*	10.6*	4	3
220	26.4*	35*	9.9*	4	3
240	28.7*	40*	11.8*	4	3

* Ratings per oven cavity; a separate power supply required for each oven cavity.

OPTIONS

- Pass-through
- Flat glass
- Drain on drip pan

CLEARANCES

	Combustible	Non-Combustible
Sides	6" (152.5 mm)	2" (51 mm)
Back	6" (152.5 mm)	2" (51 mm)

EUROPE

230 Volts, 50 Hz 3 Ph+N+E

	Current (A)	Power (W)
L1	31.4	7268
L2	31.3	7200
L3	31.3	7200



Visit bkideas.com to view all accessories available for this model.