



14 GALLON POWERED DISPOSAL CADDY WITH HIGH VOLUME PUMP

Powered Disposal Caddy Model PDC-14B



Dealing with hot fryer oil and oven drippings can be a dangerous task for your employees. A slight mistake can lead to burns and slippery floors that are difficult to clean. To keep your employees safe, we designed the BKI® Powered Disposal Caddy to safely extract, transport, and dispose of hot liquid cooking byproducts and used fryer oil.

A reversible high flow pump quickly extracts liquid cooking byproducts from all of our fryers, rotisseries, and combination ovens and stores the liquid in its 14 gallon reservoir tank. It can pump out a rendering pan in 30 seconds. Then it is a simple task to move the caddy to a collection tank and pump the liquids out for disposal. Staff never comes in contact with the hot and messy liquids throughout the entire process.

The drip-free couplings and a sealed lid on the Powered Disposal Caddy reservoir tank virtually eliminate spills and the associated slip hazards.

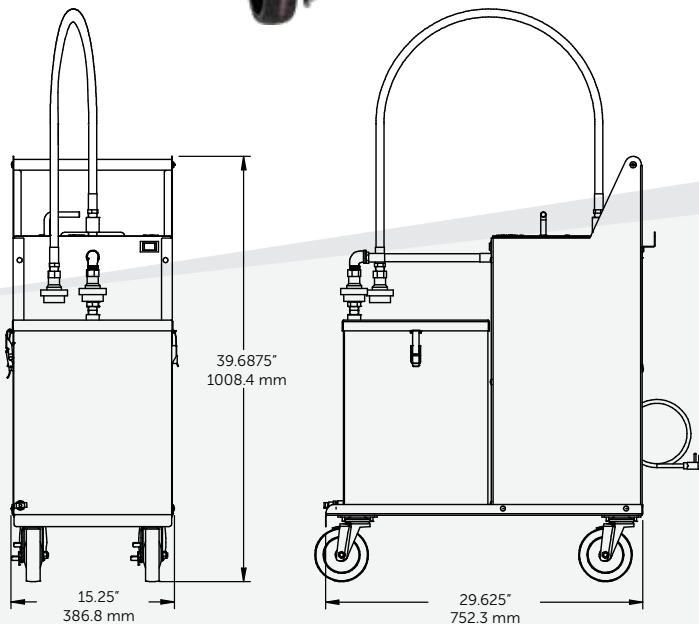
Built in the USA this caddy features stainless steel construction, a high volume enclosed pump and high temperature hoses. The reservoir tank is easily removable for cleaning.

FEATURES AT A GLANCE

- 14 gal. (53 ltr) capacity reservoir
- Suitable for use with liquid cooking byproducts and fryer oil
- Reversible high flow pump
- Convenient single hose connection for both extraction and discharge
- Easily adaptable to external collection systems
- Compact footprint
- 5" swivel casters with brakes for mobility
- Removable reservoir tank for easy cleaning
- High temperature hoses
- Durable stainless steel construction
- Connects to a standard 115V receptacle
- Dripping Drawers with quick-connect couplings available for all BKI rotisserie and combi ovens

OPTIONS

- Hand wand assembly
- Extraction drawers for 101 and 102 combination ovens
- Extraction drawers for VGG-8 and VGG-5 rotisseries



bkideas.com

© BKI LI0283C/08-06

Specifications are subject to change without notice.

BKI Worldwide, Inc.
2812 Grandview Drive
Simpsonville, SC 29680
Telephone: (864) 963-3471
Toll Free: (800) 927-6887

Dimensions nominal.
Shipping Class: #110
FOB Simpsonville, SC